

COMPRESSION HANDLE 36-56 MM



Padlockable compression handle, with 6 mm compression. The C-dimension describes the compressed position. Indicated hole patterns in the table below are either Combi version, or the $\varnothing 20$ mm cut-out shown in the drawing.

Handle is available either for mounting by spacer nut (included) or rivets/screws (not included).



MATERIAL

Shaft: Zinc die cast, black passivated

Spacer nut: Steel, zinc plated

Handle: Glass fibre reinforced polyamide (PA6GF30)

Housing: Zinc die cast, black powder coated

Screw: Steel, zinc plated

RELATED PRODUCTS

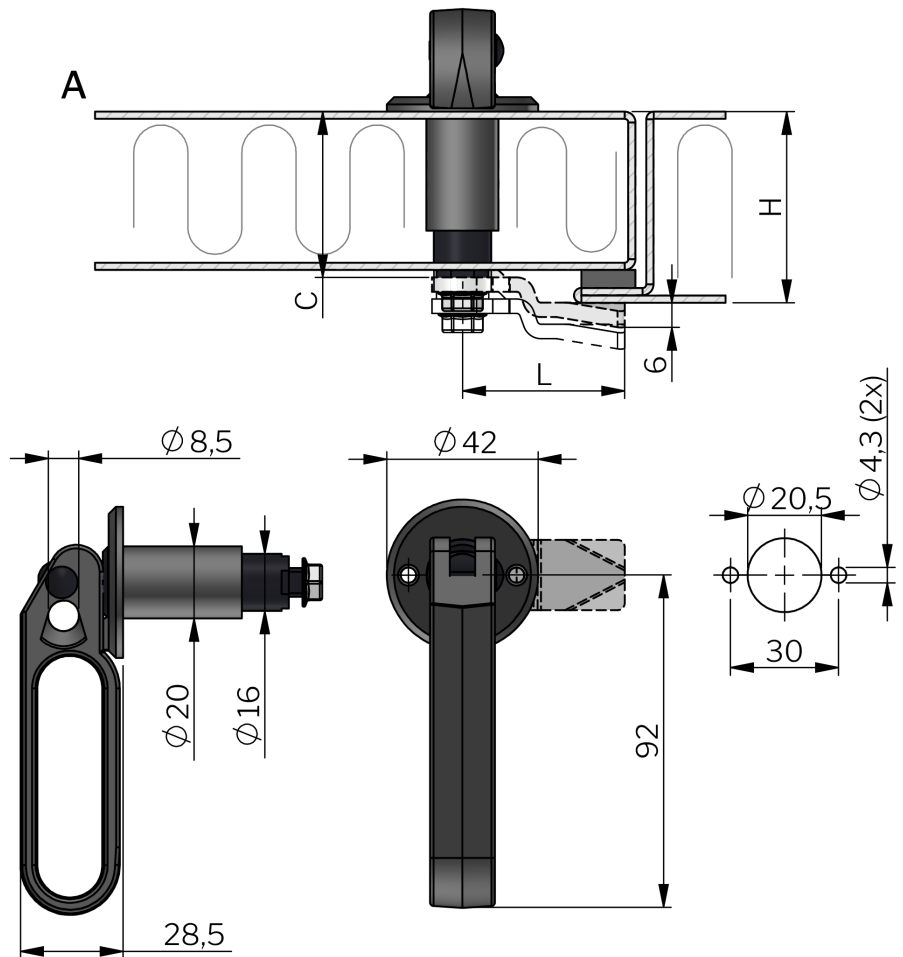
Rods: 2-540, 2-541, 2-545

Rod guides: 2-560, 2-570

Rod adapters: 2-541

Cams: 2-481, 2-491

Use the Index Code at industrilas.com



| P/N | Description | C= | Cutout | Drawing |
|-----------|----------------------------|-------|-------------|---------|
| 275004-30 | Handle for rivets / screws | 36 mm | 20 mm Ø (A) | A |
| 275004-40 | Handle for rivets / screws | 46 mm | 20 mm Ø (A) | A |
| 275004-50 | Handle for rivets / screws | 56 mm | 20 mm Ø (A) | A |
| 275006-30 | Handle with spacer nut | 36 mm | Combi (B) | B |
| 275006-40 | Handle with spacer nut | 46 mm | Combi (B) | B |
| 275006-50 | Handle with spacer nut | 56 mm | Combi (B) | B |

For handle version using spacer nut

The hole diameter in the inner door skin should be Ø 28 mm for the spacer nut to fit through.

